

ARMOR NO. 1

**PORTABLE
COMBINATION BOX**

Quick Guidance

Applicable models

Applicable to **ACTION** series monitors

Features

Armor No.1 is a portable combination box applicable to the monitors, which has the integrated excellent features like thin, portable, and all-around shock protection.

Equipped with 1/4" and 3/8" screw holes provide the installation base for connecting the wireless equipments.

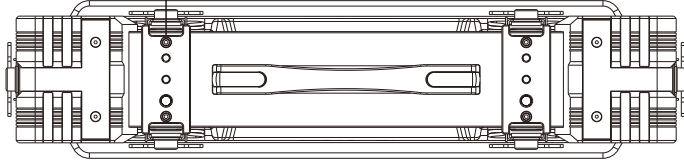
The rotatable hidden stand at the bottom of the case can be pulled out to prevent the monitor from toppling even with the large battery.

⚠ Important tips

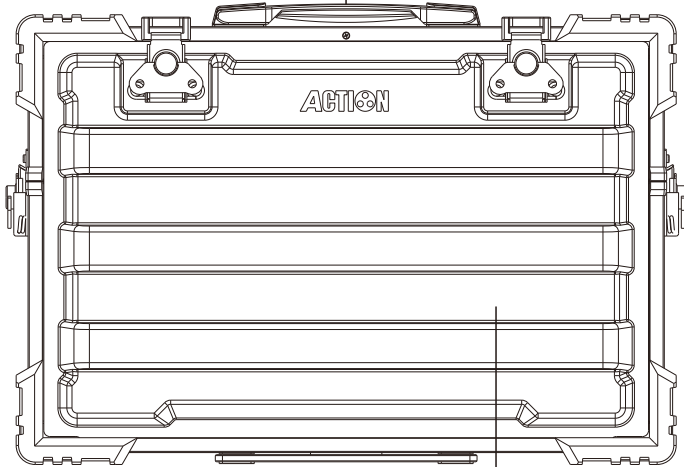
- ※ Please make sure the accessories matched with the equipment and acknowledged by the maker.
- ※ Do not repair the product by yourself, provided this product has any quality issue, please refer to our authorized after service center.

Structure functions introduction

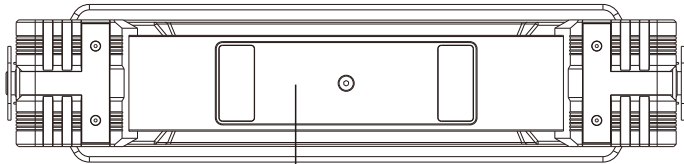
Extensive function module
Equipped with 1/4" and 3/8" screw holes provide the installation base for connecting the wireless equipments.



Handle
Frequent scenes change, so easy!

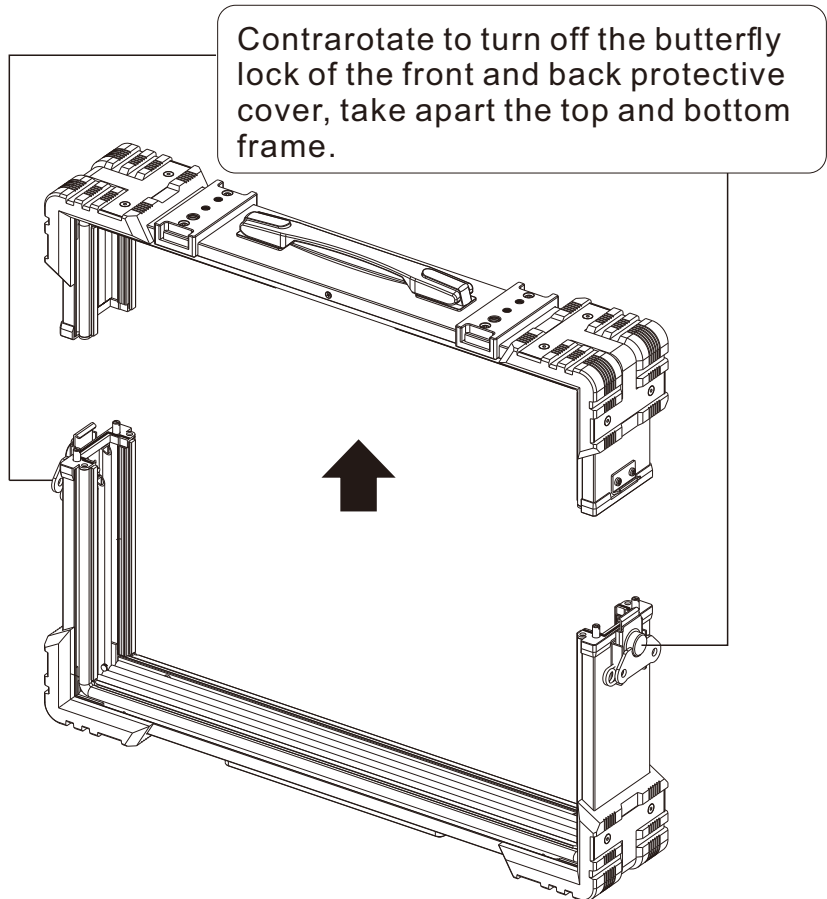
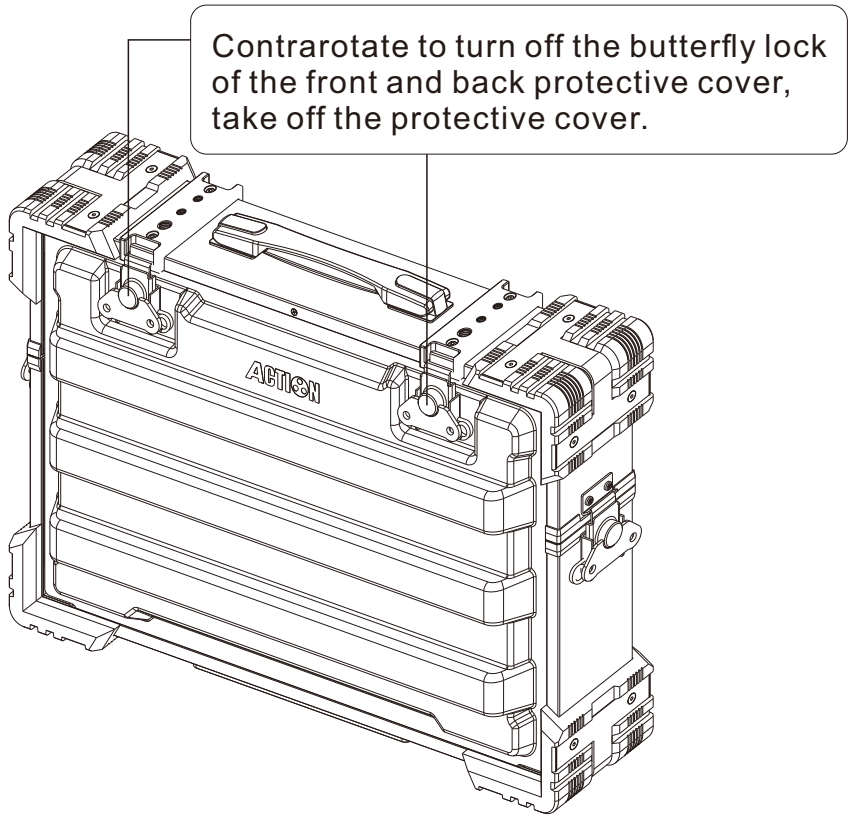


Protective cover
Adopted the advanced air-pressure shock protection design, the protective cover can withstand 80kg outside force. Contrarotate and turn off the butterfly lock to take off the protective cover.



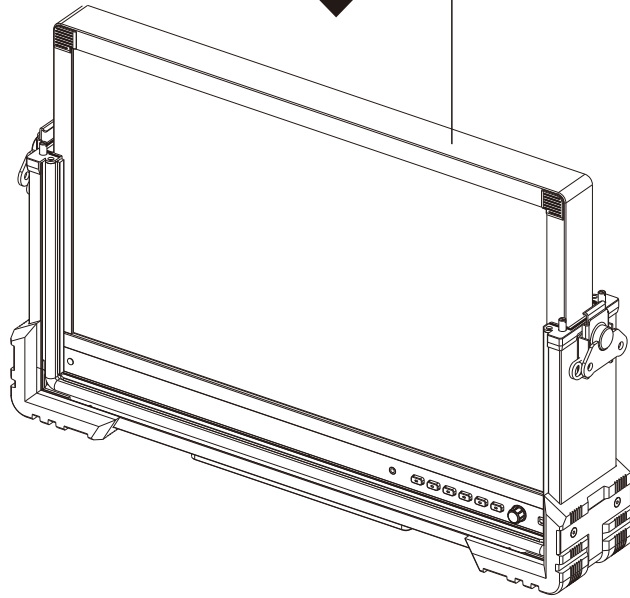
Stand
The rotatable hidden stand can be pulled out to prevent the monitor from toppling.

How to use Armor No. 1

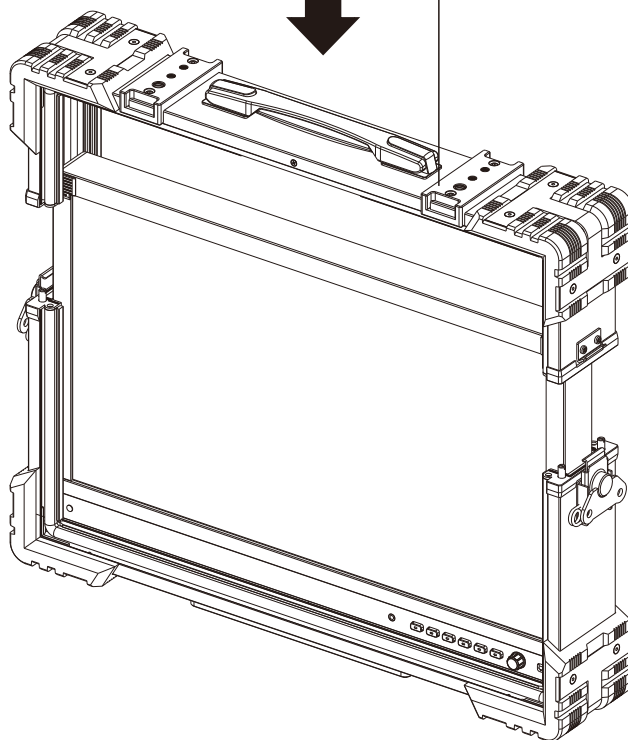


How to use Armor No. 1

Firstly put the AT series of monitors into the bottom frame.



Then fix the top frame and clockwise rotate to lock , now you can experience this particular product.



ACTION

U.S.Brand

Designed by:

American RG Corp

Made by:

Luoyang Ruiguang Movie-Tv Optic-
Electronic Technology Co.,LTD

Add:Floor 5th,1-6 Bldg,Luoyang BUAA
Science Park, Luoyang City, Henan
Province,China.

Tel/Fax: 86-379-63003389 64328516

Post code: 471003



Please scan the above QR code to
learn more product information